

PNEUMATIC WINDSCREEN WIPERS

FOR OFFSHORE USE - CERTIFIED FOR GAS ZONE 1



SERVI'S PNEUAMTIC «STRAIGHT LINE» WIPER

After a few minor modifications our pneumatic "Straight Line" wiper, for use in hazardous areas, was tested and certified for use in zone 1.



Wipers used on oil rigs world wide

After a few minor modifications our new pneumatic "Straight Line" wiper for use in hazardous areas has been tested and certified for use in zone 1.

Servi present the new generation Pneumatic Wiper for use on driller floor or any other location where there is a demand for explosion proof equipment.

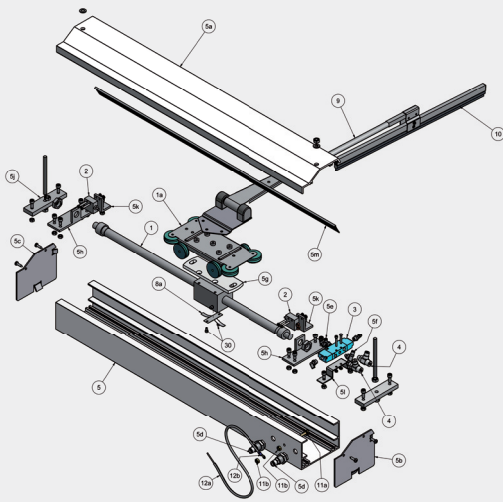
The Pneumatic Wiper System has been tested by the laboratories of CMR Gexcon to meet the ATEX conformity of EN 13463-1 and will be marked Ex II 2G c T6

Servi has manufactured these systems for the International Oil industry for more than 20 years. The first installation took place on the Heidrun platform back in 1993.

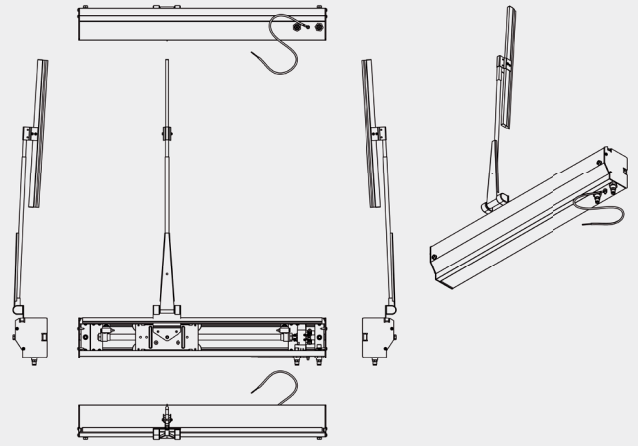
Our systems are to be found on oil rigs around the world and the new generation Mk3 meet the strongest demand for safe operations onboard.





CERTIFIED FOR GAS ZONE 1



1) Version with integrated pneumatic valves



2) Overall dimensions

DET NORSKE VERITAS

ACKNOWLEDGEMENT OF RECEIPT - EC

ACKNOWLEDGEMENT NO. 83888-2010-CE-NOR

This Acknowledgement consists of 2 pages

This is to confirm that the Technical File for the following product(s):

Pneumatic Straight Line Wiper

with type designation(s)

See page 2


Manufactured by
PMC Servi AS
 Haugenvæien 10, Postboks 3230
 1402 Ski

has been received and stored according to


the conformity assessment procedure described in Article 8.1.(b).(ii), of Council Directive 94/9/EC (ATEX) of 23 March 1994, category 2 non-electrical equipment.

Further details are given overleaf.

Place and date
 Høvik, 2010-09-02
 for DET NORSKE VERITAS AS





Marianne Spæren
 Certification Manager



This Acknowledgement is valid until
 2020-09-02

*Notice: The acknowledgement is subject to terms and conditions overleaf. Any significant changes in design or construction may render this acknowledgement invalid.
 The digitally signed and electronically distributed document is the original and valid acknowledgement. Ref.: www.dnv.com/digital/signatures*

Ack. No.: 83888-2010-CE-NOR
 Project No.: PRJC-256794-2010-PRC-NOR

Jurisdiction
 DNV is appointed by the Directorate for Civil Protection and Emergency Planning as Notified Body (No. 0575) under the terms of the Norwegian regulation "Forskrift om utstyr og sikkerhetssystem til bruk i eksplosjonsfarlig område", dated 1996-12-09 and Article 9 of Council Directive 94/9/EC (ATEX), as amended.

Acknowledgement history: This is the original Acknowledgement.

Product description
 The following types are covered by the Acknowledgement:

Product Description	Type Designations	Category	Product Group	Product Sub Group
Pneumatic Straight Line Wiper	-	2	Ex equipment	Non-electrical

Technical documentation:
 The following documentation has been received and stored:

Document No	Document Name
E0717 Rev.2 PMC Servi AS	Technical File

Terms and conditions
 The product liability rests with the manufacturer, his representative or, in the absence of a representative, the importer, in accordance with the General Product Safety Directive 2001/95/EC. The following conditions may render this acknowledgement invalid:

- Changes in the design or construction of the product.
- Changes or amendments to the referenced directive(s).
- Changes or amendments in the standards which form the basis for documenting compliance with the essential requirements of the directive(s).

Conformity declaration and marking of product
 In order to fully meet with the requirements of the Directive and legally affix the CE mark, the manufacturer must take all measures necessary to ensure that the manufactured product comply with the technical documentation and with the requirements of the Directive and finally draw up an EC declaration of conformity.

END OF ACKNOWLEDGEMENT

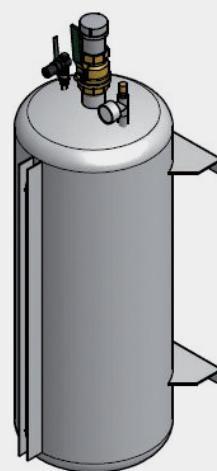
PNEUMATIC STRAIGHT LINE WIPER

- Heavy duty design for Offshore and hazardous areas.
- Pneumatic power and control for maximum safety and reliability.
- Easy mounting and maintenance.
- Wiping area up to 4000 x 1300 mm
- Auto self parking
- Can be mounted in any position
- Systems delivered to International Offshore Oil industry since 1993.



WINDOW WASH SYSTEM

Wash systems with 100 or 200 litre tanks, powered and controlled by compressed air.



NEW OWNER NEW NAME NEW LOGO

Great potential for development for Servi Group AS with new Ferd ownership. Ever since 1912, Servi Group AS (Servi) has been a key player in the “Power and Motion Control” industry. With the family-owned industrial group Ferd as its new owner, now is the first time in its century-long history that Servi is on Norwegian hands. This marks the beginning of a new era in the company history.

For further information, see www.servi.no -
for details about our product range, see www.servicatalogue.com

ISO 9001 certified since 1995.